



LT460APRO

# 4 Post 6 Tonne Hydraulic Alignment Hoist



**HYDRAULIC HOIST FOR HEAVY-DUTY SERVICE AND ALIGNMENT WORK.**



## Ideal for:

Dealerships and busy workshops that need a heavy duty, quiet hoist for servicing and alignments. The LT460APRO delivers reliability backed by smart design and build quality.

## Features:

- › High-strength, galvanised, and pre-stretched metal cables ensure durability and reliability
- › Electric hydraulic rolling jacks that can be operated from the jack or from the main hoist controls
- › Large-diameter pulleys with self-lubricating and maintenance-free bushes
- › Precise Wheel Alignment: Adjustable parking ratchet rails ensure precise 4-wheel alignment
- › Automatic spring-loaded safety hook system ensures complete stability, even in the event of cable breakage

OUR PROMISE:

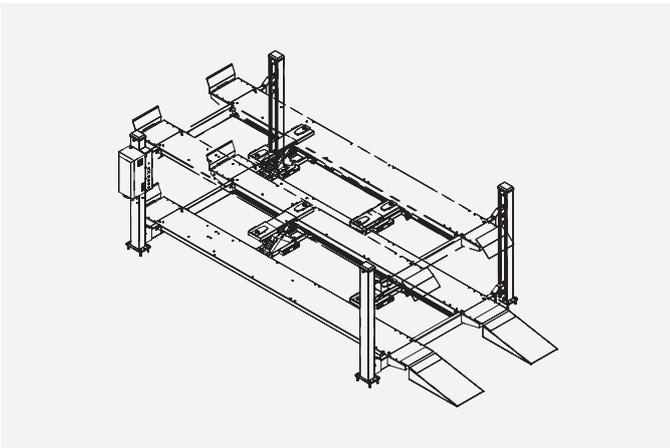
**100**

ONE HUNDRED DAYS  
100% SATISFACTION

If you are not 100% satisfied with your equipment, Treadway Equipped will repair, replace or refund the equipment free of charge within the first 100 days.

**LT460APRO**

# 4 Post 6 Tonne Hydraulic Alignment Hoist

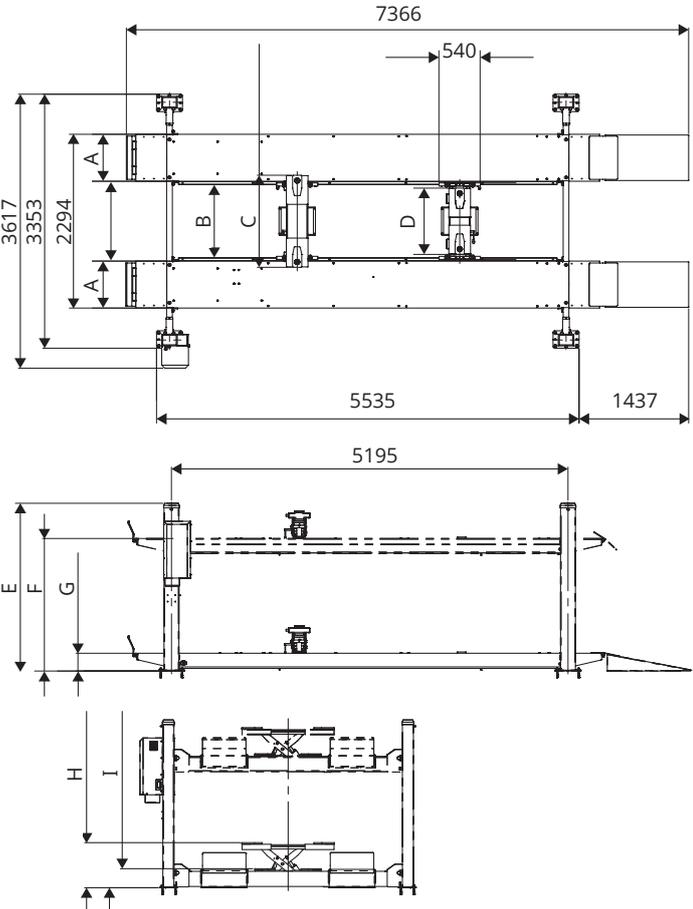


A = Platform width	620	F = Main deck height max.	1750
B = Distance between cols.	964	G = Main deck height min.	235
C = Jack width max.	1215	H = Jack height max.	596
D = Jack width min.	875	I = Jack height min.	251
E = Max. total height	2215		



**Features:**

- › High-strength, galvanised, and pre-stretched metal cables ensure durability and reliability
- › Electric hydraulic rolling jacks that can be operated from the jack or from the main control box.
- › Large-diameter pulleys with self-lubricating and maintenance-free bushes
- › Precise Wheel Alignment: Adjustable parking ratchet rails ensure precise 4-wheel alignment
- › Automatic spring-loaded safety hook system ensures complete stability, even in the event of cable breakage



**SPECIFICATIONS**

Overall Dimensions		
Out-Width-In-Width x Length:	3,616 x 2,254 x 7,384 (mm)	
Height (max.):	2,215 (mm)	
Out-Width x In-Width x Length:	Main Plate: 2,254 x 1,054 x 6,076 (mm)	
	Main	Jack
Lifting Capacity:	6,000 kg	3,000 kg
Max. height:	1,750 mm	595 mm
Min. height:	235 mm	251 mm
Stroke:	1,515 mm	344 mm
Ascending Time:	Approx. 40 ~ 60 sec	5 ~ 15 sec
Descending Time:	Approx. 45 ~ 60 sec	5 ~ 15 sec
Net Weight	~1,920 kg	140 kg (each)
Total weight	Approx. 2,200 kg	
Elec & Motor	3PH : 3HP x 4P x 220V / 380V x 50/60Hz	
Control	Control Panel (push button)	

LT460APRO

# 4 Post 6 Tonne Hydraulic Alignment Hoist

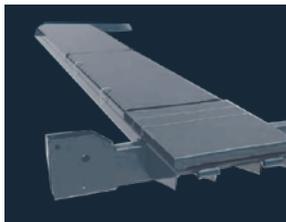
Hydraulic Hoist for heavy-duty service and alignment work.



## Design & safety



- › **Electric hydraulic rolling jacks**  
Quiet, smooth and fast. These jacks can be operated from the jack or from the main hoist control.



- › **Alignment platforms**  
Adjustable parking ratchet rails ensure precise 4-wheel alignment.



- › **Safety**  
High-strength, galvanised, and pre-stretched metal cables ensure durability and reliability.



- › **Safety**  
Automatic spring-loaded safety hook system ensures complete stability, even in the event of cable breakage.

### OUR PROMISE TO YOU

We are committed to customer satisfaction.

All our projects are covered by our 100 Promise.

OUR PROMISE:

**100**

ONE HUNDRED DAYS  
100% SATISFACTION

If you are not 100% satisfied with your equipment, Treadway Equipped will repair, replace or refund the equipment free of charge within the first 100 days.



OUR PROMISE:

**100**

ONE HUNDRED DAYS  
100% SATISFACTION

If you are not 100% satisfied with your equipment, Treadway Equipped will repair, replace or refund the equipment free of charge within the first 100 days.

**0800 436 436**  
[treadwayequipped.co.nz](http://treadwayequipped.co.nz)